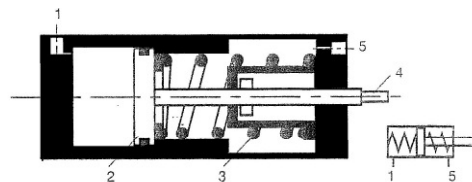
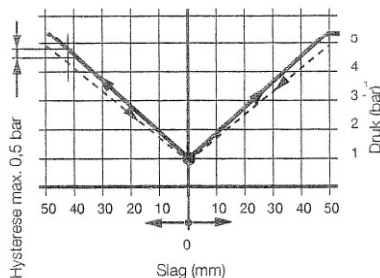
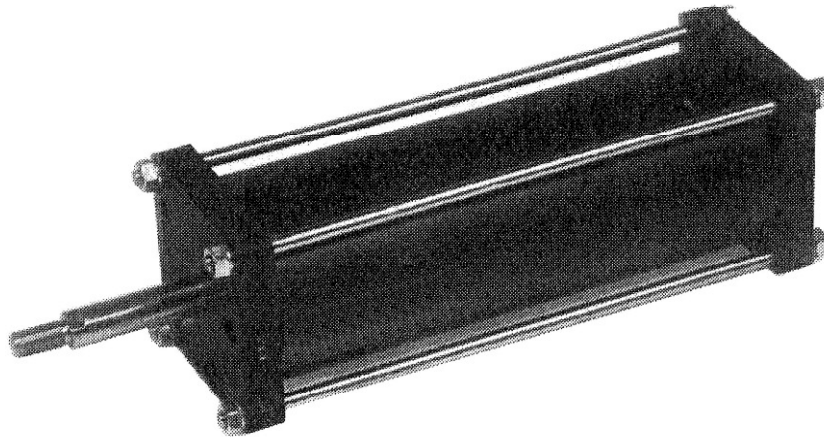


## Regulating cylinder with mid-position, type RMA 80/50+50/+GA+W



### Function

The regulation cylinder can be continuously adjusted in two directions from the natural mid-position. The adjustment depends on the pressure on either side.

### Application

In general for systems where small control forces are necessary like the adjusting of hydraulic governor valves for reversible screw propellers, Voith-Schneider propellers, etc.

### Operation

If control pressure is admitted to piston surface 2 via connection 1 then – with connection 5 de-aerated – the resulting forces depress control spring 3 to a certain distance, piston rod 4 runs out over that distance.

With a control pressure reduction of  $\leq 1$  bar, the piston and piston rod reach the mid-position through the cocked spring.

If control pressure is admitted via connection 2 - with connection 1 de-aerated – then piston rod 4 moves proportionately to that control pressure. Every control pressure corresponds to a certain distance.

### Technical data

- Stroke : 2x50mm
- Medium : compressed air, filtered to min. 40 $\mu$ , lubricated or not lubricated.
- Control pressure : 1 – 5,4 bar
- Max. pressure : 10 bar
- Connection : G 1/4"
- Temp. range : -20° tot +70° Celsius

Way of ordering : **RMA 80/50+50/+GA+W**

## Technical dimensions (mm)

