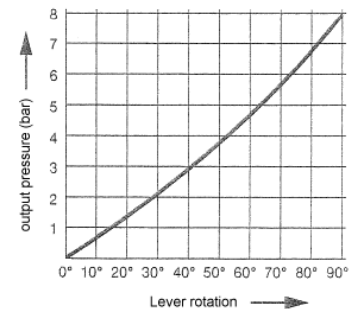
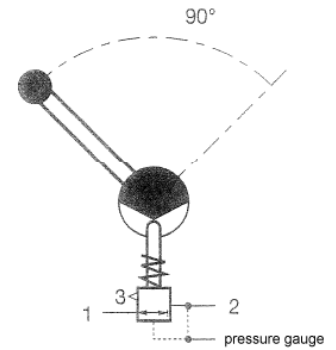


Lever operated pressure regulator, type Servo E



Function

By turning a lever, a pressure regulating valve is infinitely adjusted, and with that the output pressure. Once set, the output pressure will be maintained, independent of the air consumption.

Applications

For systems where very accurate pressure adjustment is not necessary (e.g. anchor winches and auxiliary engines on ships, simple pneumatic presses, etc.)

Construction

The regulator consists of a construction suitable for panel mounting:

- With at one side, after building in visible, a rotatable lever.
- With at the other side, yet to build in, a pressure regulating valve.

With the lever, internal cams are rotated through which the regulating valve is operated.

An adjustable brake is used to maintain the adjusted lever position after releasing.

Technical data

- Suitable for panel mounting
 - Lever:
 - angular displacement is max. 90°
 - adjustable brake
 - Pressure regulator:
 - operating medium : compressed air, filtered to min. 50 μ, lubrication not necessary, dried air allowed
 - supply pressure : max. 28 bar
 - output pressure : 0 up to 8 bar (see graph)
 - hysteresis : max. 6° lever rotation to start decreasing the output pressure
 - passage : • supply Ø 10 mm
 - connections : • exhaust Ø 2 mm
 - supply 1 and output 2: G 1/2 (internal thread)
 - Protection class : IP50
 - Temperature range : -10° up to +70° Celsius
 - Special models : on request
- Way of ordering : **Servo E**

Technical dimensions (mm)

